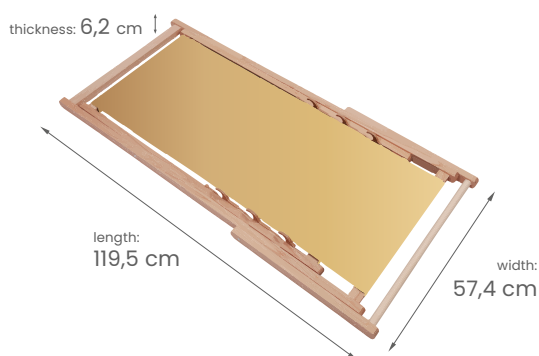


IMPORTANT! PLEASE KEEP FOR FUTURE REFERENCE, READ CAREFULLY

Classic sun lounger for public and commercial use

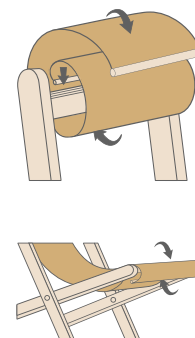
Dimensions when folded



Dimensions when up



Change of fabric



1. Instructions for use

- The lounger can be folded and set up only by adults.
- The lounger can only be placed on level surfaces.
- When setting up the lounger, please make sure that the rod is resting on the wooden slat in the same position on both sides.
- The lounger can be cleaned with a damp cloth.
- Avoid prolonged contact with rainwater.
- A wet lounger should be dried completely before storing.
- Store in a dry place.

2. It is not allowed

- To stand on any parts of the lounger.
- For children to use the lounger unattended.
- To move or lift the lounger with any people, animals or objects on it.
- To use the lounger when under the influence of alcohol.
- To place one's arms or legs between the side surfaces of the lounger's frame.
- To use the lounger less than 2.5 metres from any source of fire.
- To use a lounger with damage to any of its supporting parts or fabric.



Safety

All wooden elements have been rounded by sanding.



Ergonomics

Three-step back rest regulation, depending on comfort requirements.



Compactness

The lounger is ready to use; light, only 3.5 kg. No assembly required.



Durability

Durable wooden frame made of beech wood. Maximum weight capacity: up to 110 kg.



Fabric

Changeable seat – quick and easy change of fabric, 23 colours available!